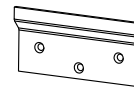


x1

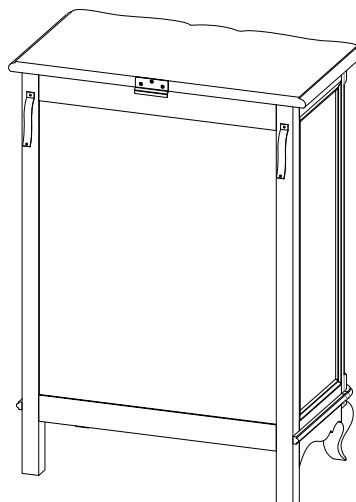
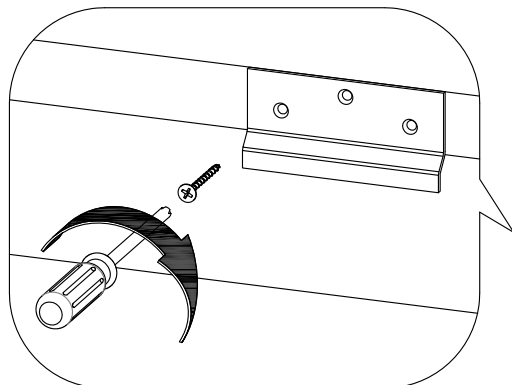
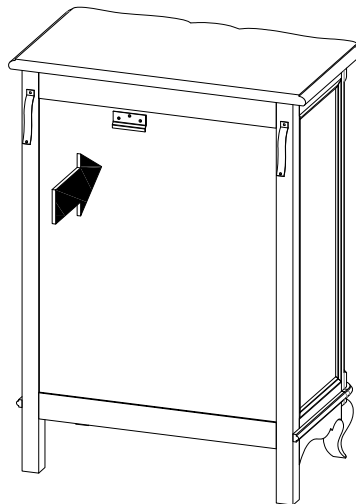


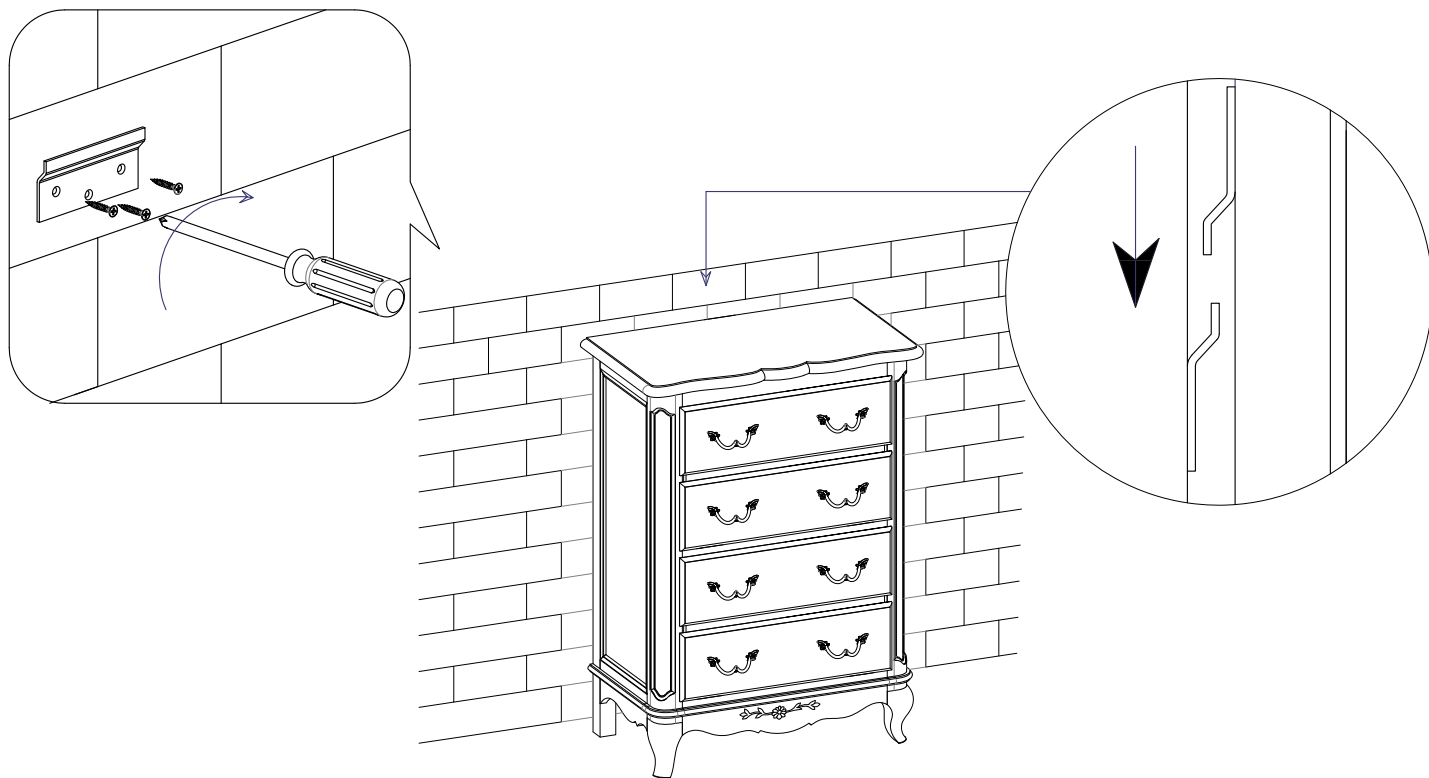
x2



M4x30

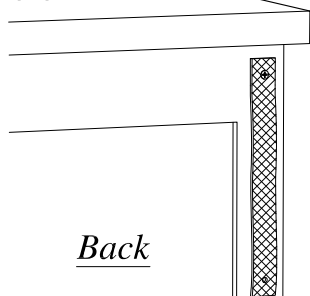
x6



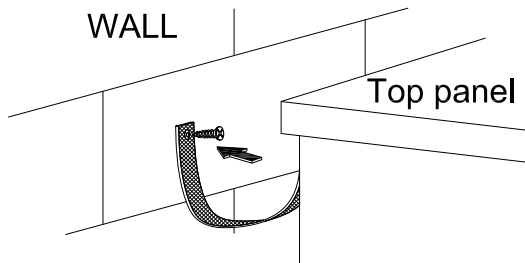


Anchoring Devices Instruction

Top panel



WALL



Apply to all products which height over 60cm

Please note that extra wall fixings might be required depending on the wall construction

